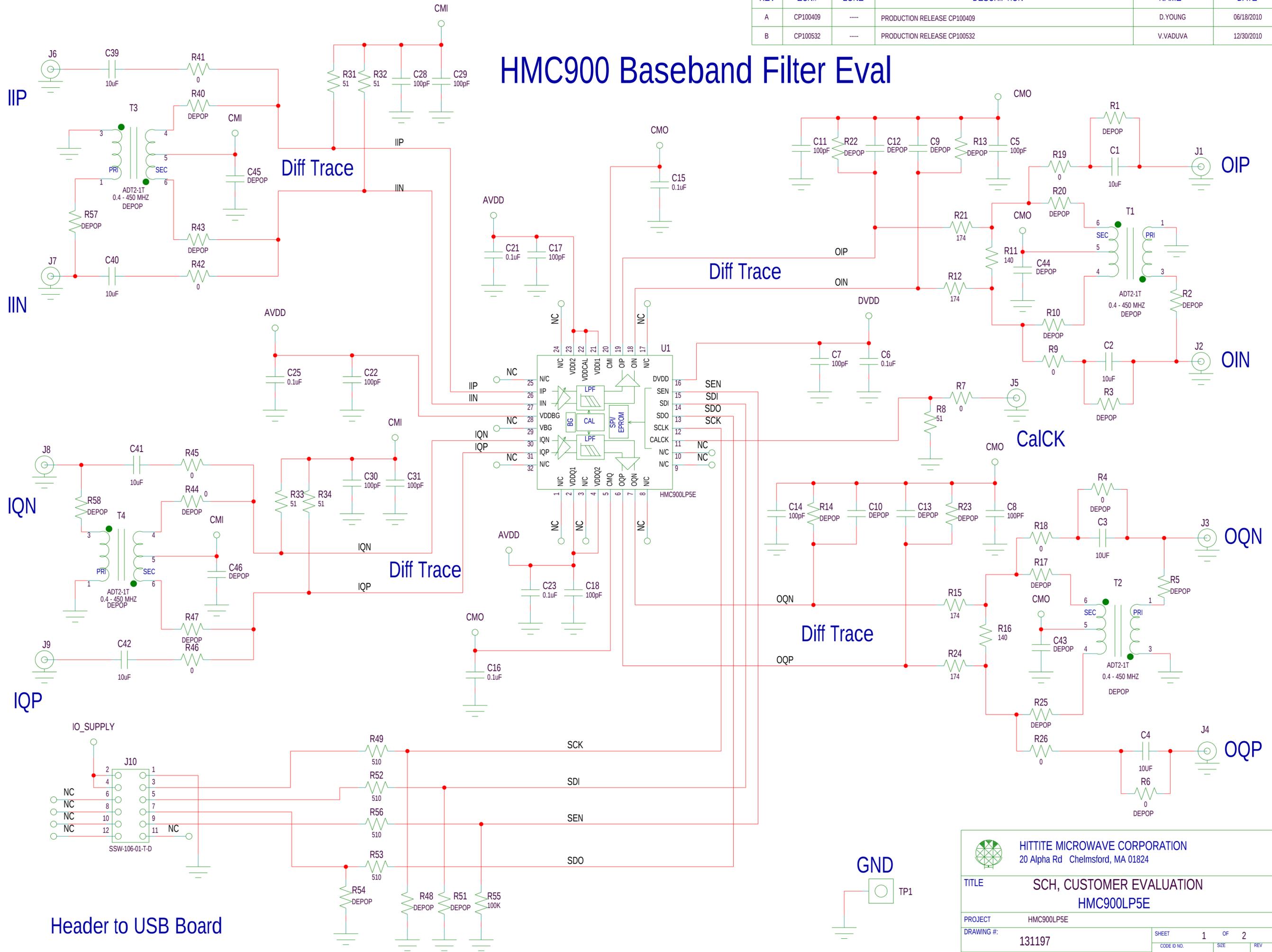


REVISIONS					
REV	ECN#	ZONE	DESCRIPTION	NAME	DATE
A	CP100409	----	PRODUCTION RELEASE CP100409	D.YOUNG	06/18/2010
B	CP100532	----	PRODUCTION RELEASE CP100532	V.VADUVA	12/30/2010

HMC900 Baseband Filter Eval

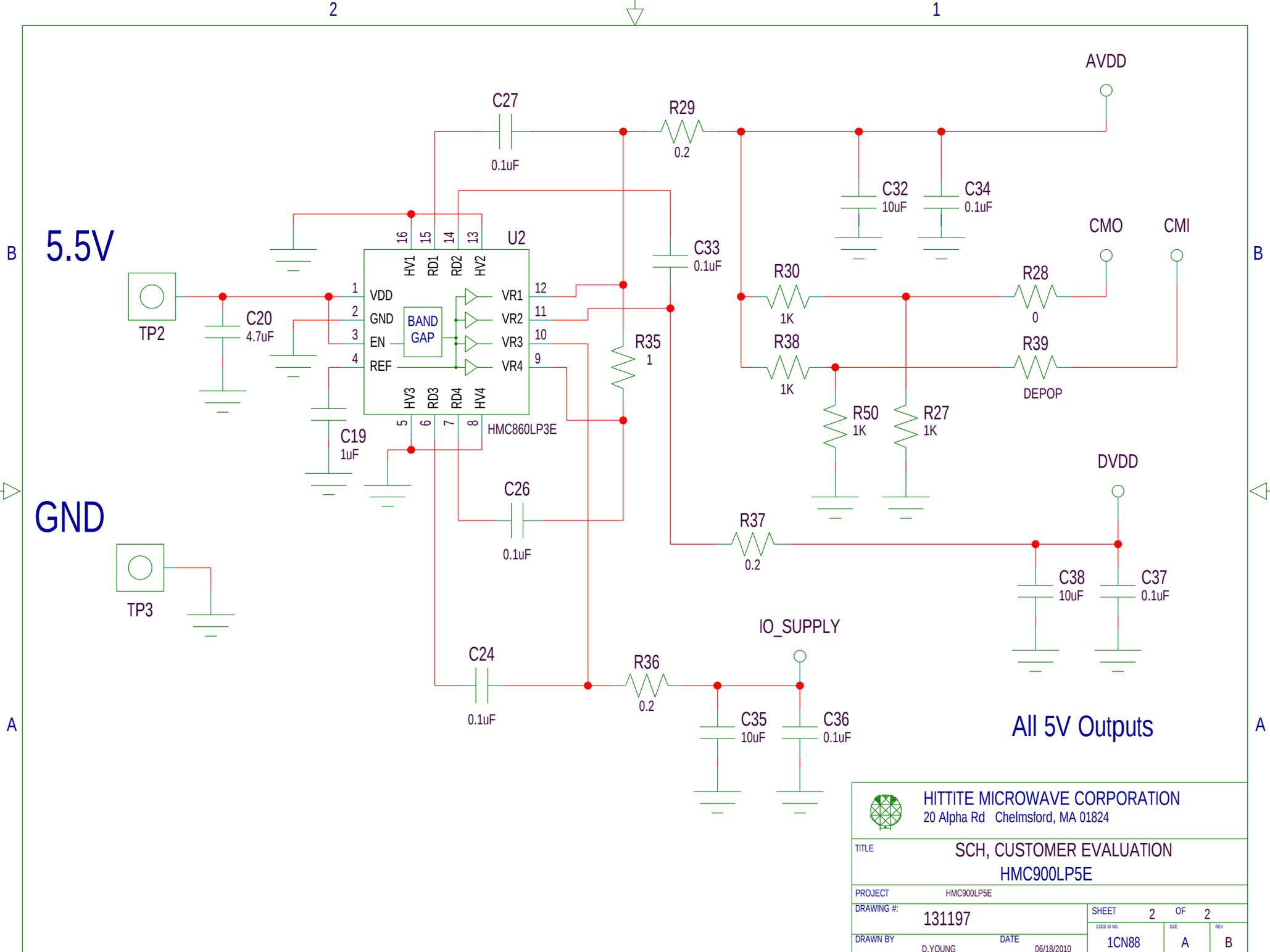


NOTICE OF PROPRIETARY PROPERTY: THIS DOCUMENT AND THE INFORMATION CONTAINED IN IT ARE THE PROPRIETARY PROPERTY OF HITTITE MICROWAVE CORPORATION. IT MAY NOT BE COPIED OR USED IN ANY MANNER NOR MAY ANY OF THE INFORMATION IN OR UPON IT BE USED FOR ANY PURPOSE WITHOUT THE EXPRESSED WRITTEN CONSENT OF AN AUTHORIZED AGENT OF HITTITE MICROWAVE CORPORATION.

HITTITE MICROWAVE CORPORATION 20 Alpha Rd Chelmsford, MA 01824	
TITLE SCH, CUSTOMER EVALUATION HMC900LP5E	
PROJECT HMC900LP5E	
DRAWING #: 131197	
DRAWN BY: D.YOUNG	
DATE: 06/18/2010	
SHEET 1 OF 2	REV B
CODE ID NO. 1CN88	SIZE C

Header to USB Board

GND TP1



All 5V Outputs

 HITTITE MICROWAVE CORPORATION 20 Alpha Rd Chelmsford, MA 01824			
TITLE SCH, CUSTOMER EVALUATION HMC900LP5E			
PROJECT HMC900LP5E		SHEET 2 OF 2	
DRAWING #: 131197		CODE ID NO. 1CN88	
DRAWN BY D.YOUNG		DATE 06/18/2010	
		REV A B	